

## **Metallized Film Capacitor**

## **Interference Suppression Capacitors**

**Series/Type:** Y2 MKP63

**Ordering code:** CY2\*

**Date:** September 2024

**Version:** 01

EMF 2004. Reproduction, publication and dissemination of this publication, enclosures hereto and the information contained therein without EMF' prior express consent is prohibited.




**■ Features**

- Metallized polypropylene structure
- With standing overvoltage stressing
- Excellent active and passive flame resistant abilities
- Widely used in line to ground ,line-by-pass, antenna coupling interference suppression circuit ,etc

**■ Reference Standards**

- IEC60384-14
- AEC Q-200
- RoHS
- UL 810

**■ Safety Approvals**

●		<b>CQC (CHINA)</b>	GB/T 6346.14-2023, Y2, 300V.ac, 0.001 μ F~1.0 μ F, 40/110/56B Certificate No.: CQC23001389113
●		<b>ENEC-VDE (EUROPEAN UNION)</b>	IEC 60384-14:2013+AI:2016, Y2, 300V.ac, 0.001 μ F~1.0 μ F, 40/110/56B Certificate No.: ENEC-04970
●		<b>UL/CUL (USA/CANADA)</b>	IEC 60384-14:2013+AI:2016, Y2, 300V.ac, 0.001 μ F~1.0 μ F, 40/110/56B File No.: E315567

**■ Specifications**

- Capacitance range **0.001μF...1.0μF**
- Capacitance tolerance **±10%(K), ±20%(M)**
- Rated RMS Voltage **300V.ac, 50/60Hz**
- Dielectric dissipation factor(tan δ<sub>0</sub>) **2×10<sup>-4</sup>**
- Loss factor(tanδ)at 1KHz **≤3.0×10<sup>-3</sup>**
- Operating temperature range **-40℃...110℃**
- Climatic category/Passive flammability category **40/110/56/B**

**■ Test data**

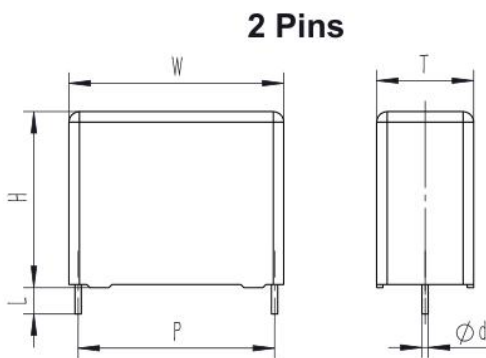
- Capacitance measurement **C<sub>N</sub>±10%(K); C<sub>N</sub>±20%(M)**
- Test voltage between terminals **2000V.ac @2S or 4000V.dc @2S, C<sub>N</sub>≤0.33μF  
3700V.dc @2S, C<sub>N</sub>>0.33μF**
- Test voltage between terminals to case **2500 V.ac @60S**
- Insulation resistance **R≥15,000M Ω, C<sub>N</sub>≤0.33μF(20℃, 100V, 60S)  
R•C<sub>N</sub>≥5,000S, C<sub>N</sub>>0.33μF (20℃, 100V, 60S)**
- Loss factor(tanδ)at 1KHz **30×10<sup>-4</sup>**

■ Structure of ordering code

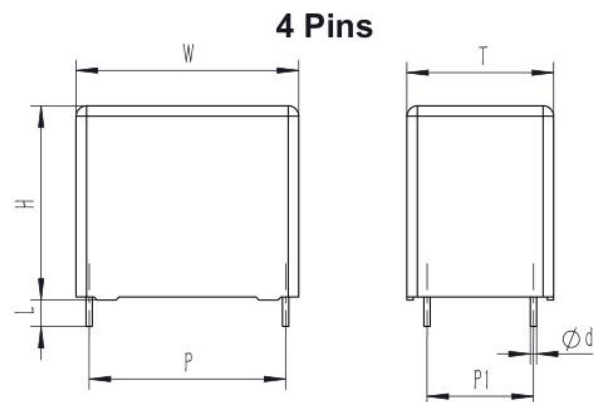
1	2	3	4	5	6	7	8	9	10	11	12	13	14	15	16	17	18
<b>C</b>	<b>X</b>	<b>2</b>	<b>3</b>	<b>0</b>	<b>1</b>	<b>2</b>	<b>2</b>	<b>4</b>	<b>K</b>	<b>6</b>	<b>3</b>	<b>5</b>	<b>L</b>	<b>0</b>	<b>1</b>	<b>G</b>	<b>1</b>
<b>A</b>			<b>B</b>			<b>C</b>			<b>D</b>	<b>E</b>	<b>F</b>		<b>G</b>	<b>H</b>	<b>I</b>	<b>J</b>	<b>K</b>

- A: Capacitor series  
CY2=Y2 MKP63
- B: Rated voltage  
如: 301=30\*10<sup>1</sup>=310V
- C: Rated capacitance  
如: 225=22\*10<sup>4</sup>=220000pF=0.22μF
- D: Capacitance tolerance  
K=±10%, M=±20%
- E: Pitch  
2=5.0mm    3=7.5mm    4=10mm    5=12.5mm    6=15mm    9=22.5mm  
B=27.5mm    D=32.5mm    F=37.5mm    M=52.5mm
- F: Lead length  
35=3.5mm    E5=15mm    N2=22mm    S6=36mm
- G: Pin shape  
L=Straight foot    R=Right foot    K=K foot    N=Bend inward foot  
W=Bend outside foot
- H: Product features  
0=Ordinary    1=Double 85    2=Low noise    3=Low power
- I: Raw material  
0=No halogen    1=halogen
- J: Product colour  
Y=Yellow    G=Grey    B=Black    U=Blue    W=white    R=Red    E=Green
- H: Inner use

■ Outline Drawing(Specific according to customer requirements)



**Fig 1**



**Fig 2**

<b>Metallized Film Capacitor</b>	<b>CY2*</b>
<b>Interference Suppression Capacitors</b>	<b>Y2 MKP63</b>

**Dimensions(mm)**

UN: 300V.ac							UN: 300V.ac						
C <sub>N</sub> (μF)	W	H	T	d	P	Part number	C <sub>N</sub> (μF)	W	H	T	d	P	Part number
0.0010	13	9	4	0.6	10		0.022	18	18	10	0.8	15	
0.0012	13	9	4	0.6	10		0.027	18	18	10	0.8	15	
0.0015	13	9	4	0.6	10		0.033	18	15	9	0.8	15	
0.0015	13	11	5.5	0.6	10		0.033	18	18	9	0.8	15	
0.0018	13	10	5	0.6	10		0.033	18	19	11	0.8	15	
0.0022	13	10	5	0.6	10		0.033	26	16	6	0.8	22.5	
0.0022	13	12	6	0.6	10		0.033	26	17	8	0.8	22.5	
0.0027	13	10	5	0.6	10		0.047	18	17	10	0.8	15	
0.0027	18	11	5	0.8	15		0.047	18	19	11	0.8	15	
0.0033	13	10	5	0.6	10		0.047	18	22	12.5	0.8	15	
0.0033	13	12	6	0.6	10		0.047	26	16	6	0.8	22.5	
0.0033	18	11	5	0.8	15		0.047	26	16.5	7.5	0.8	22.5	
0.0039	13	12	6	0.6	10		0.047	26	18	9	0.8	22.5	
0.0039	14	13	8	0.6	10		0.056	26	17	8	0.8	22.5	
0.0047	13	11	5	0.6	10		0.056	26	19	10	0.8	22.5	
0.0047	14	13	8	0.6	10		0.068	18	16	10	0.8	15	
0.0047	18	12	6	0.8	15		0.068	26	16.5	7.5	0.8	22.5	
0.0056	13	13	7	0.6	10		0.068	26	18	9	0.8	22.5	
0.0056	18	11	5	0.8	15		0.068	26	21	10	0.8	22.5	
0.0056	18	12	6	0.8	15		0.10	26	18	9	0.8	22.5	
0.0068	13	12	6	0.6	10		0.10	26	20	10	0.8	22.5	
0.0068	13	14	8	0.6	10		0.10	26	22.5	13	0.8	22.5	
0.0068	18	11	5	0.8	15		0.10	31	18	9	0.8	27.5	
0.0068	18	13	7	0.8	15		0.15	26	20	11	0.8	22.5	
0.0082	13	13	7	0.6	10		0.15	26	22	12	0.8	22.5	
0.0082	18	11	5	0.8	15		0.15	26	26	16	0.8	22.5	
0.0082	18	13	7	0.8	15		0.15	31	12	18	0.8	27.5	
0.010	13	14	8	0.6	10		0.15	31	18	9	0.8	27.5	
0.010	18	12	6	0.8	15		0.18	26	20	11	0.8	22.5	
0.010	18	13.5	7.5	0.8	15		0.18	31	21	11	0.8	27.5	
0.015	18	12	6	0.8	15		0.22	26	22	12	0.8	22.5	
0.015	18	13	7	0.8	15		0.22	26	24	14	0.8	22.5	
0.015	18	15	9	0.8	15		0.22	26	25	15	0.8	22.5	
0.022	18	13	7	0.8	15		0.22	31	21	11	0.8	27.5	
0.022	18	14	8	0.8	15		0.22	31	12	22	0.8	27.5	

**Dimensions(mm)**

UN: 300V.ac							UN: 300V.ac						
CN( $\mu$ F)	W	H	T	d	P	Part number	CN( $\mu$ F)	W	H	T	d	P	Part number
0.22	31	22	13	0.8	27.5		0.47	31	16	27.5	0.8	27.5	
0.27	26	24	13.5	0.8	22.5		0.47	31	28	18	0.8	27.5	
0.22	31	22	13	0.8	27.5		0.47	31	29	15.5	0.8	27.5	
0.33	26	25	15	0.8	22.5		0.47	41.5	24	13	1.0	37.5	
0.33	26.5	29.5	14.5	0.8	22.5		0.47	42	15	24	1.0	37.5	
0.33	31	24.5	15	0.8	27.5		0.56	31	28	18	0.8	27.5	
0.33	31	26	13	0.8	27.5		0.56	31	32	16	0.8	27.5	
0.33	41.5	22	12	1.0	37.5		0.56	41.5	28	14	1.0	37.5	
0.33	42	15	24	1.0	37.5		0.68	31	30.5	20	0.8	27.5	
0.39	31	16	27.5	0.8	27.5		0.68	31	33	18	0.8	27.5	
0.39	31	24.5	15	0.8	27.5		0.82	41.5	30	17	1.0	37.5	
0.39	31	28	14	0.8	27.5		1.0	31	37	22	0.8	27.5	
0.39	41.5	24	13	1.0	37.5		1.0	41.5	32	19	1.0	37.5	
0.39	42	15	24	1.0	37.5		1.0	41.5	35.5	22.5	1.0	37.5	